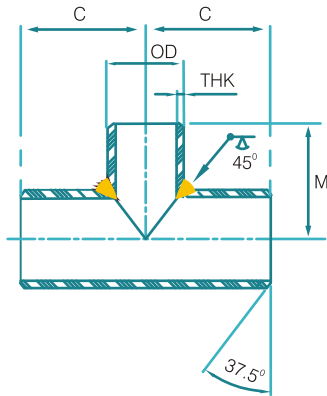
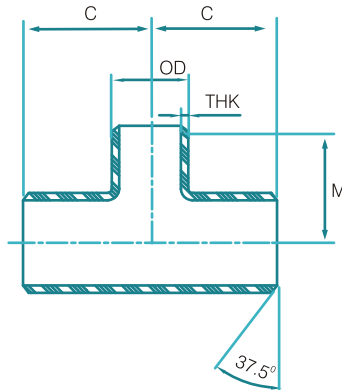


Reducing Tee



WELDED TEE



SEAMLESS TEE



Inches	NB	SCH5		SCH10		SCH20		SCH30		STD		SCH40		SCH80	
		THK	FORMS	THK	FORMS	THK	FORMS	THK	FORMS	THK	FORMS	THK	FORMS	THK	FORMS
1/2 x 1/2 x 3/8	15 x 15 x 10	1.65	s/w	2.11	s/w	-	-	2.41	s/w	2.77	s/w	2.77	s/w	3.73	s/w
1/2 x 1/2 x 1/4	15 x 15 x 8	1.65	s/w	2.11	s/w	-	-	2.41	s/w	2.77	s/w	2.77	s/w	3.73	s/w
3/4 x 3/4 x 1/2	20 x 20 x 15	1.65	s/w	2.11	s/w	-	-	2.87	s/w	2.87	s/w	2.87	s/w	3.91	s/w
3/4 x 3/4 x 3/8	20 x 20 x 10	1.65	s/w	2.11	s/w	-	-	2.87	s/w	2.87	s/w	2.87	s/w	3.91	s/w
1 x 1 x 3/4	25 x 25 x 20	1.65	s/w	2.77	s/w	-	-	2.90	s/w	3.38	s/w	3.38	s/w	4.55	s/w
1 x 1 x 1/2	25 x 25 x 15	1.65	s/w	2.77	s/w	-	-	2.90	s/w	3.38	s/w	3.38	s/w	4.55	s/w
1 1/4 x 1 1/4 x 1	32 x 32 x 25	1.65	s/w	2.77	s/w	-	-	2.97	s/w	3.56	s/w	3.56	s/w	4.85	s/w
1 1/4 x 1 1/4 x 3/4	32 x 32 x 20	1.65	s/w	2.77	s/w	-	-	2.97	s/w	3.56	s/w	3.56	s/w	4.85	s/w
1 1/4 x 1 1/4 x 1/2	32 x 32 x 15	1.65	s/w	2.77	s/w	-	-	2.97	s/w	3.56	s/w	3.56	s/w	4.85	s/w
1 1/2 x 1 1/2 x 1 1/4	40 x 40 x 32	1.65	s/w	2.77	s/w	-	-	3.18	s/w	3.68	s/w	3.68	s/w	5.08	s/w
1 1/2 x 1 1/2 x 1	40 x 40 x 25	1.65	s/w	2.77	s/w	-	-	3.18	s/w	3.68	s/w	3.68	s/w	5.08	s/w
1 1/2 x 1 1/2 x 3/4	40 x 40 x 20	1.65	s/w	2.77	s/w	-	-	3.18	s/w	3.68	s/w	3.68	s/w	5.08	s/w
1 1/2 x 1 1/2 x 1/2	40 x 40 x 15	1.65	s/w	2.77	s/w	-	-	3.18	s/w	3.68	s/w	3.68	s/w	5.08	s/w
2 x 2 x 1 1/2	50 x 50 x 40	1.65	s/w	2.77	s/w	-	-	3.18	s/w	3.91	s/w	3.91	s/w	5.54	s/w
2 x 2 x 1 1/4	50 x 50 x 32	1.65	s/w	2.77	s/w	-	-	3.18	s/w	3.91	s/w	3.91	s/w	5.54	s/w
2 x 2 x 1	50 x 50 x 25	1.65	s/w	2.77	s/w	-	-	3.18	s/w	3.91	s/w	3.91	s/w	5.54	s/w
2 x 2 x 3/4	50 x 50 x 20	1.65	s/w	2.77	s/w	-	-	3.18	s/w	3.91	s/w	3.91	s/w	5.54	s/w
2 1/2 x 2 1/2 x 2	65 x 65 x 50	2.11	s/w	3.05	s/w	-	-	4.78	s/w	5.16	s/w	5.16	s/w	7.01	s/w
2 1/2 x 2 1/2 x 1 1/2	65 x 65 x 40	2.11	s/w	3.05	s/w	-	-	4.78	s/w	5.16	s/w	5.16	s/w	7.01	s/w
2 1/2 x 2 1/2 x 1 1/4	65 x 65 x 32	2.11	s/w	3.05	s/w	-	-	4.78	s/w	5.16	s/w	5.16	s/w	7.01	s/w
2 1/2 x 2 1/2 x 1	65 x 65 x 25	2.11	s/w	3.05	s/w	-	-	4.78	s/w	5.16	s/w	5.16	s/w	7.01	s/w

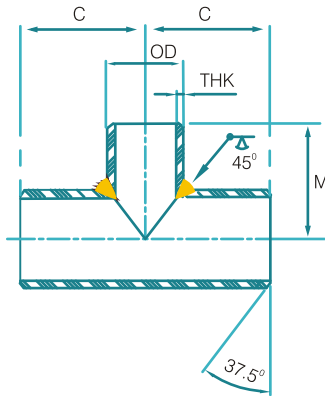
S-Seamless ; W-Welded

Applicable for pipes with BUTT weld ends only.

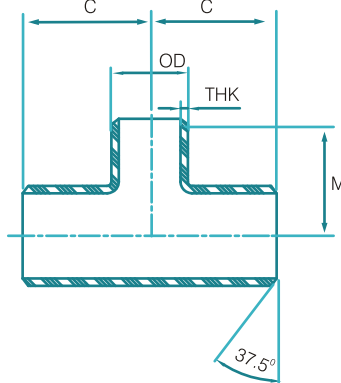
Welded Construction available in either ERW construction (or) Fabricated Construction.

Note: Ref.Standard ASME B16.9.2003

Reducing Tee



WELDED TEE



SEAMLESS TEE



Inches	NB	SCH5		SCH10		SCH20		SCH30		STD		SCH40		SCH80	
		THK	FORMS	THK	FORMS	THK	FORMS	THK	FORMS	THK	FORMS	THK	FORMS	THK	FORMS
3 x 3 x 2 1/2	80 x 80 x 65	2.11	s/w	3.05	s/w	-	-	4.78	s/w	5.49	s/w	5.49	s/w	7.62	s/w
3 x 3 x 2	80 x 80 x 50	2.11	s/w	3.05	s/w	-	-	4.78	s/w	5.49	s/w	5.49	s/w	7.62	s/w
3 x 3 x 1 1/2	80 x 80 x 40	2.11	s/w	3.05	s/w	-	-	4.78	s/w	5.49	s/w	5.49	s/w	7.62	s/w
3 x 3 x 1 1/4	80 x 80 x 32	2.11	s/w	3.05	s/w	-	-	4.78	s/w	5.49	s/w	5.49	s/w	7.62	s/w
3 1/2 x 3 1/2 x 3	90 x 90 x 80	2.11	s/w	3.05	s/w	-	-	4.78	s/w	5.74	s/w	5.74	s/w	8.08	s/w
3 1/2 x 3 1/2 x 2 1/2	90 x 90 x 65	2.11	s/w	3.05	s/w	-	-	4.78	s/w	5.74	s/w	5.74	s/w	8.08	s/w
3 1/2 x 3 1/2 x 2	90 x 90 x 50	2.11	s/w	3.05	s/w	-	-	4.78	s/w	5.74	s/w	5.74	s/w	8.08	s/w
3 1/2 x 3 1/2 x 1 1/2	90 x 90 x 40	2.11	s/w	3.05	s/w	-	-	4.78	s/w	5.74	s/w	5.74	s/w	8.08	s/w
4 x 4 x 3 1/2	100 x 100 x 90	2.11	s/w	3.05	s/w	-	-	4.78	s/w	6.02	s/w	6.02	s/w	8.56	s/w
4 x 4 x 3	100 x 100 x 80	2.11	s/w	3.05	s/w	-	-	4.78	s/w	6.02	s/w	6.02	s/w	8.56	s/w
4 x 4 x 2 1/2	100 x 100 x 65	2.11	s/w	3.05	s/w	-	-	4.78	s/w	6.02	s/w	6.02	s/w	8.56	s/w
4 x 4 x 2	100 x 100 x 50	2.11	s/w	3.05	s/w	-	-	4.78	s/w	6.02	s/w	6.02	s/w	8.56	s/w
4 x 4 x 1 1/2	100 x 100 x 40	2.11	s/w	3.05	s/w	-	-	4.78	s/w	6.02	s/w	6.02	s/w	8.56	w
5 x 5 x 4	125 x 125 x 100	2.77	w	3.4	w	-	-	-	w	6.55	w	6.55	w	9.53	w
5 x 5 x 3 1/2	125 x 125 x 90	2.77	w	3.4	w	-	-	-	w	6.55	w	6.55	w	9.53	w
5 x 5 x 3	125 x 125 x 80	2.77	w	3.4	w	-	-	-	w	6.55	w	6.55	w	9.53	w
5 x 5 x 2 1/2	125 x 125 x 65	2.77	w	3.4	w	-	-	-	w	6.55	w	6.55	w	9.53	w
5 x 5 x 2	125 x 125 x 50	2.77	w	3.4	w	-	-	-	w	6.55	w	6.55	w	9.53	w
6 x 6 x 5	150 x 150 x 125	2.77	w	3.4	w	-	-	-	w	7.11	w	7.11	w	10.97	w
6 x 6 x 4	150 x 150 x 100	2.77	w	3.4	w	-	-	-	w	7.11	w	7.11	w	10.97	w
6 x 6 x 3 1/2	150 x 150 x 90	2.77	w	3.4	w	-	-	-	w	7.11	w	7.11	w	10.97	w

S-Seamless ; W-Welded
 Applicable for pipes with BUTT weld ends only.
 Welded Construction available in either ERW construction (or) Fabricated Construction.

Note: Ref.Standard ASME B16.9.2003

Reducing Tee

Inches	NB	SCH5		SCH10		SCH20		SCH30		STD		SCH40		SCH80	
		THK	FORMS	THK	FORMS	THK	FORMS	THK	FORMS	THK	FORMS	THK	FORMS	THK	FORMS
6 x 6 x 3	150 x 150 x 80	2.77	w	3.4	w	-	-	-	w	7.11	w	7.11	w	10.97	w
6 x 6 x 2 1/2	150 x 150 x 65	2.77	w	3.4	w	-	-	-	w	7.11	w	7.11	w	10.97	w
8 x 8 x 6	200 x 200 x 150	2.77	w	3.76	w	6.35	w	7.04	w	8.18	w	8.18	w	12.7	w
8 x 8 x 5	200 x 200 x 125	2.77	w	3.76	w	6.35	w	7.04	w	8.18	w	8.18	w	12.7	w
8 x 8 x 4	200 x 200 x 100	2.77	w	3.76	w	6.35	w	7.04	w	8.18	w	8.18	w	12.7	w
8 x 8 x 3 1/2	200 x 200 x 90	2.77	w	3.76	w	6.35	w	7.04	w	8.18	w	8.18	w	12.7	w
10 x 10 x 8	250 x 250 x 200	3.40	w	4.19	w	6.35	w	7.8	w	9.27	w	9.27	w	15.09	w
10 x 10 x 6	250 x 250 x 150	3.40	w	4.19	w	6.35	w	7.8	w	9.27	w	9.27	w	15.09	w
10 x 10 x 5	250 x 250 x 125	3.40	w	4.19	w	6.35	w	7.8	w	9.27	w	9.27	w	15.09	w
10 x 10 x 4	250 x 250 x 100	3.40	w	4.19	w	6.35	w	7.8	w	9.27	w	9.27	w	15.09	w
12 x 12 x 10	300 x 300 x 250	3.96	w	4.57	w	6.35	w	8.38	w	9.53	w	10.31	w	17.48	w
12 x 12 x 8	300 x 300 x 200	3.96	w	4.57	w	6.35	w	8.38	w	9.53	w	10.31	w	17.48	w
12 x 12 x 6	300 x 300 x 150	3.96	w	4.57	w	6.35	w	8.38	w	9.53	w	10.31	w	17.48	w
12 x 12 x 5	300 x 300 x 125	3.96	w	4.57	w	6.35	w	8.38	w	9.53	w	10.31	w	17.48	w
14 x 14 x 12	350 x 350 x 300	3.96	w	6.35	w	7.92	w	9.53	w	9.53	w	11.13	w	19.05	w
14 x 14 x 10	350 x 350 x 250	3.96	w	6.35	w	7.92	w	9.53	w	9.53	w	11.13	w	19.05	w
14 x 14 x 8	350 x 350 x 200	3.96	w	6.35	w	7.92	w	9.53	w	9.53	w	11.13	w	19.05	w
14 x 14 x 6	350 x 350 x 150	3.96	w	6.35	w	7.92	w	9.53	w	9.53	w	11.13	w	19.05	w
16 x 16 x 14	400 x 400 x 350	4.19	w	6.35	w	7.92	w	9.53	w	9.53	w	12.7	w	21.44	w
16 x 16 x 12	400 x 400 x 300	4.19	w	6.35	w	7.92	w	9.53	w	9.53	w	12.7	w	21.44	w
16 x 16 x 10	400 x 400 x 250	4.19	w	6.35	w	7.92	w	9.53	w	9.53	w	12.7	w	21.44	w
16 x 16 x 8	400 x 400 x 200	4.19	w	6.35	w	7.92	w	9.53	w	9.53	w	12.7	w	21.44	w
16 x 16 x 6	400 x 400 x 150	4.19	w	6.35	w	7.92	w	9.53	w	9.53	w	12.7	w	21.44	w
18 x 18 x 16	450 x 450 x 400	4.19	w	6.35	w	7.92	w	11.13	w	9.53	w	14.27	w	23.83	w
18 x 18 x 14	450 x 450 x 350	4.19	w	6.35	w	7.92	w	11.13	w	9.53	w	14.27	w	23.83	w
18 x 18 x 12	450 x 450 x 300	4.19	w	6.35	w	7.92	w	11.13	w	9.53	w	14.27	w	23.83	w
18 x 18 x 10	450 x 450 x 250	4.19	w	6.35	w	7.92	w	11.13	w	9.53	w	14.27	w	23.83	w
18 x 18 x 8	450 x 450 x 200	4.19	w	6.35	w	7.92	w	11.13	w	9.53	w	14.27	w	23.83	w
20 x 20 x 18	500 x 500 x 450	4.78	w	6.35	w	9.53	w	12.7	w	9.53	w	15.09	w	26.19	w
20 x 20 x 16	500 x 500 x 400	4.78	w	6.35	w	9.53	w	12.7	w	9.53	w	15.09	w	26.19	w
20 x 20 x 14	500 x 500 x 350	4.78	w	6.35	w	9.53	w	12.7	w	9.53	w	15.09	w	26.19	w
20 x 20 x 12	500 x 500 x 300	4.78	w	6.35	w	9.53	w	12.7	w	9.53	w	15.09	w	26.19	w
20 x 20 x 10	500 x 500 x 250	4.78	w	6.35	w	9.53	w	12.7	w	9.53	w	15.09	w	26.19	w
20 x 20 x 8	500 x 500 x 200	4.78	w	6.35	w	9.53	w	12.7	w	9.53	w	15.09	w	26.19	w
22 x 22 x 20	550 x 550 x 500	4.78	w	6.35	w	9.53	w	12.7	w	9.53	w	-	w	28.58	w
22 x 22 x 18	550 x 550 x 450	4.78	w	6.35	w	9.53	w	12.7	w	9.53	w	-	w	28.58	w
22 x 22 x 16	550 x 550 x 400	4.78	w	6.35	w	9.53	w	12.7	w	9.53	w	-	w	28.58	w
22 x 22 x 14	550 x 550 x 350	4.78	w	6.35	w	9.53	w	12.7	w	9.53	w	-	w	28.58	w
22 x 22 x 12	550 x 550 x 300	4.78	w	6.35	w	9.53	w	12.7	w	9.53	w	-	w	28.58	w
22 x 22 x 10	550 x 550 x 250	4.78	w	6.35	w	9.53	w	12.7	w	9.53	w	-	w	28.58	w
24 x 24 x 22	600 x 600 x 550	5.54	w	6.35	w	9.53	w	14.27	w	9.53	w	17.48	w	30.96	w
24 x 24 x 20	600 x 600 x 500	5.54	w	6.35	w	9.53	w	14.27	w	9.53	w	17.48	w	30.96	w
24 x 24 x 18	600 x 600 x 450	5.54	w	6.35	w	9.53	w	14.27	w	9.53	w	17.48	w	30.96	w
24 x 24 x 16	600 x 600 x 400	5.54	w	6.35	w	9.53	w	14.27	w	9.53	w	17.48	w	30.96	w
24 x 24 x 14	600 x 600 x 350	5.54	w	6.35	w	9.53	w	14.27	w	9.53	w	17.48	w	30.96	w
24 x 24 x 12	600 x 600 x 300	5.54	w	6.35	w	9.53	w	14.27	w	9.53	w	17.48	w	30.96	w
24 x 24 x 10	600 x 600 x 250	5.54	w	6.35	w	9.53	w	14.27	w	9.53	w	17.48	w	30.96	w

W-Welded

Applicable for pipes with BUTT weld ends only.

Welded Construction available in either ERW construction (or) Fabricated Construction.

Note: Ref.Standard ASME B16.9.2003