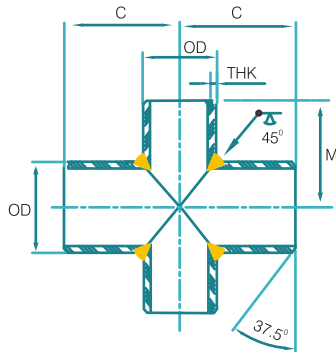


Reducing Cross



| Inches | NB | SCH5 | | SCH10 | | SCH20 | | SCH30 | | STD | | SCH40 | | SCH80 | |
|-----------------------|--------------|------|-------|-------|-------|-------|-------|-------|-------|------|-------|-------|-------|-------|-------|
| | | THK | FORMS | THK | FORMS | THK | FORMS | THK | FORMS | THK | FORMS | THK | FORMS | THK | FORMS |
| 1/2 x 1/2 x 3/8 | 15 x 15 x 10 | 1.65 | w | 2.11 | w | - | - | 2.41 | w | 2.77 | w | 2.77 | w | 3.73 | w |
| 1/2 x 1/2 x 1/4 | 15 x 15 x 8 | 1.65 | w | 2.11 | w | - | - | 2.41 | w | 2.77 | w | 2.77 | w | 3.73 | w |
| 3/4 x 3/4 x 1/2 | 20 x 20 x 15 | 1.65 | w | 2.11 | w | - | - | 2.87 | w | 2.87 | w | 2.87 | w | 3.91 | w |
| 3/4 x 3/4 x 3/8 | 20 x 20 x 10 | 1.65 | w | 2.11 | w | - | - | 2.87 | w | 2.87 | w | 2.87 | w | 3.91 | w |
| 1 x 1 x 3/4 | 25 x 25 x 20 | 1.65 | w | 2.77 | w | - | - | 2.90 | w | 3.38 | w | 3.38 | w | 4.55 | w |
| 1 x 1 x 1/2 | 25 x 25 x 15 | 1.65 | w | 2.77 | w | - | - | 2.90 | w | 3.38 | w | 3.38 | w | 4.55 | w |
| 1 1/4 x 1 1/4 x 1 | 32 x 32 x 25 | 1.65 | w | 2.77 | w | - | - | 2.97 | w | 3.56 | w | 3.56 | w | 4.85 | w |
| 1 1/4 x 1 1/4 x 3/4 | 32 x 32 x 20 | 1.65 | w | 2.77 | w | - | - | 2.97 | w | 3.56 | w | 3.56 | w | 4.85 | w |
| 1 1/4 x 1 1/4 x 1/2 | 32 x 32 x 15 | 1.65 | w | 2.77 | w | - | - | 2.97 | w | 3.56 | w | 3.56 | w | 4.85 | w |
| 1 1/2 x 1 1/2 x 1 1/4 | 40 x 40 x 32 | 1.65 | w | 2.77 | w | - | - | 3.18 | w | 3.68 | w | 3.68 | w | 5.08 | w |
| 1 1/2 x 1 1/2 x 1 | 40 x 40 x 25 | 1.65 | w | 2.77 | w | - | - | 3.18 | w | 3.68 | w | 3.68 | w | 5.08 | w |
| 1 1/2 x 1 1/2 x 3/4 | 40 x 40 x 20 | 1.65 | w | 2.77 | w | - | - | 3.18 | w | 3.68 | w | 3.68 | w | 5.08 | w |
| 1 1/2 x 1 1/2 x 1/2 | 40 x 40 x 15 | 1.65 | w | 2.77 | w | - | - | 3.18 | w | 3.68 | w | 3.68 | w | 5.08 | w |
| 2 x 2 x 1 1/2 | 50 x 50 x 40 | 1.65 | w | 2.77 | w | - | - | 3.18 | w | 3.91 | w | 3.91 | w | 5.54 | w |
| 2 x 2 x 1 1/4 | 50 x 50 x 32 | 1.65 | w | 2.77 | w | - | - | 3.18 | w | 3.91 | w | 3.91 | w | 5.54 | w |
| 2 x 2 x 1 | 50 x 50 x 25 | 1.65 | w | 2.77 | w | - | - | 3.18 | w | 3.91 | w | 3.91 | w | 5.54 | w |
| 2 x 2 x 3/4 | 50 x 50 x 20 | 1.65 | w | 2.77 | w | - | - | 3.18 | w | 3.91 | w | 3.91 | w | 5.54 | w |
| 2 1/2 x 2 1/2 x 2 | 65 x 65 x 50 | 2.11 | w | 3.05 | w | - | - | 4.78 | w | 5.16 | w | 5.16 | w | 7.01 | w |
| 2 1/2 x 2 1/2 x 1 1/2 | 65 x 65 x 40 | 2.11 | w | 3.05 | w | - | - | 4.78 | w | 5.16 | w | 5.16 | w | 7.01 | w |
| 2 1/2 x 2 1/2 x 1 1/4 | 65 x 65 x 32 | 2.11 | w | 3.05 | w | - | - | 4.78 | w | 5.16 | w | 5.16 | w | 7.01 | w |
| 2 1/2 x 2 1/2 x 1 | 65 x 65 x 25 | 2.11 | w | 3.05 | w | - | - | 4.78 | w | 5.16 | w | 5.16 | w | 7.01 | w |

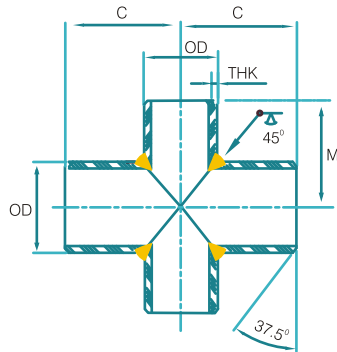
W-Welded

Applicable for pipes with BUTT weld ends only.

Welded Construction available in either ERW construction (or) Fabricated Construction.

Note: Ref. Standard ASME B16.9.2003

Reducing Cross



| Inches | NB | SCH5 | | SCH10 | | SCH20 | | SCH30 | | STD | | SCH40 | | SCH80 | |
|-----------------------|-----------------|------|-------|-------|-------|-------|-------|-------|-------|------|-------|-------|-------|-------|-------|
| | | THK | FORMS | THK | FORMS | THK | FORMS | THK | FORMS | THK | FORMS | THK | FORMS | THK | FORMS |
| 3 x 3 x 2 1/2 | 80 x 80 x 65 | 2.11 | w | 3.05 | w | - | - | 4.78 | w | 5.49 | w | 5.49 | w | 7.62 | w |
| 3 x 3 x 2 | 80 x 80 x 50 | 2.11 | w | 3.05 | w | - | - | 4.78 | w | 5.49 | w | 5.49 | w | 7.62 | w |
| 3 x 3 x 1 1/2 | 80 x 80 x 40 | 2.11 | w | 3.05 | w | - | - | 4.78 | w | 5.49 | w | 5.49 | w | 7.62 | w |
| 3 x 3 x 1 1/4 | 80 x 80 x 32 | 2.11 | w | 3.05 | w | - | - | 4.78 | w | 5.49 | w | 5.49 | w | 7.62 | w |
| 3 1/2 x 3 1/2 x 3 | 90 x 90 x 80 | 2.11 | w | 3.05 | w | - | - | 4.78 | w | 5.74 | w | 5.74 | w | 8.08 | w |
| 3 1/2 x 3 1/2 x 2 1/2 | 90 x 90 x 65 | 2.11 | w | 3.05 | w | - | - | 4.78 | w | 5.74 | w | 5.74 | w | 8.08 | w |
| 3 1/2 x 3 1/2 x 2 | 90 x 90 x 50 | 2.11 | w | 3.05 | w | - | - | 4.78 | w | 5.74 | w | 5.74 | w | 8.08 | w |
| 3 1/2 x 3 1/2 x 1 1/2 | 90 x 90 x 40 | 2.11 | w | 3.05 | w | - | - | 4.78 | w | 5.74 | w | 5.74 | w | 8.08 | w |
| 4 x 4 x 3 1/2 | 100 x 100 x 90 | 2.11 | w | 3.05 | w | - | - | 4.78 | w | 6.02 | w | 6.02 | w | 8.56 | w |
| 4 x 4 x 3 | 100 x 100 x 80 | 2.11 | w | 3.05 | w | - | - | 4.78 | w | 6.02 | w | 6.02 | w | 8.56 | w |
| 4 x 4 x 2 1/2 | 100 x 100 x 65 | 2.11 | w | 3.05 | w | - | - | 4.78 | w | 6.02 | w | 6.02 | w | 8.56 | w |
| 4 x 4 x 2 | 100 x 100 x 50 | 2.11 | w | 3.05 | w | - | - | 4.78 | w | 6.02 | w | 6.02 | w | 8.56 | w |
| 4 x 4 x 1 1/2 | 100 x 100 x 40 | 2.11 | w | 3.05 | w | - | - | 4.78 | w | 6.02 | w | 6.02 | w | 8.56 | w |
| 5 x 5 x 4 | 125 x 125 x 100 | 2.77 | w | 3.4 | w | - | - | - | w | 6.55 | w | 6.55 | w | 9.53 | w |
| 5 x 5 x 3 1/2 | 125 x 125 x 90 | 2.77 | w | 3.4 | w | - | - | - | w | 6.55 | w | 6.55 | w | 9.53 | w |
| 5 x 5 x 3 | 125 x 125 x 80 | 2.77 | w | 3.4 | w | - | - | - | w | 6.55 | w | 6.55 | w | 9.53 | w |
| 5 x 5 x 2 1/2 | 125 x 125 x 65 | 2.77 | w | 3.4 | w | - | - | - | w | 6.55 | w | 6.55 | w | 9.53 | w |
| 5 x 5 x 2 | 125 x 125 x 50 | 2.77 | w | 3.4 | w | - | - | - | w | 6.55 | w | 6.55 | w | 9.53 | w |
| 6 x 6 x 5 | 150 x 150 x 125 | 2.77 | w | 3.4 | w | - | - | - | w | 7.11 | w | 7.11 | w | 10.97 | w |
| 6 x 6 x 4 | 150 x 150 x 100 | 2.77 | w | 3.4 | w | - | - | - | w | 7.11 | w | 7.11 | w | 10.97 | w |
| 6 x 6 x 3 1/2 | 150 x 150 x 90 | 2.77 | w | 3.4 | w | - | - | - | w | 7.11 | w | 7.11 | w | 10.97 | w |

W-Welded

Applicable for pipes with BUTT weld ends only.

Welded Construction available in either ERW construction (or) Fabricated Construction.

Note: Ref.Standard ASME B16.9.2003

Reducing Cross

| Inches | NB | SCH5 | | SCH10 | | SCH20 | | SCH30 | | STD | | SCH40 | | SCH80 | |
|---------------|-----------------|------|-------|-------|-------|-------|-------|-------|-------|------|-------|-------|-------|-------|-------|
| | | THK | FORMS | THK | FORMS | THK | FORMS | THK | FORMS | THK | FORMS | THK | FORMS | THK | FORMS |
| 6 x 6 x 3 | 150 x 150 x 80 | 2.77 | w | 3.4 | w | - | - | - | w | 7.11 | w | 7.11 | w | 10.97 | w |
| 6 x 6 x 2 1/2 | 150 x 150 x 65 | 2.77 | w | 3.4 | w | - | - | - | w | 7.11 | w | 7.11 | w | 10.97 | w |
| 8 x 8 x 6 | 200 x 200 x 150 | 2.77 | w | 3.76 | w | 6.35 | w | 7.04 | w | 8.18 | w | 8.18 | w | 12.7 | w |
| 8 x 8 x 5 | 200 x 200 x 125 | 2.77 | w | 3.76 | w | 6.35 | w | 7.04 | w | 8.18 | w | 8.18 | w | 12.7 | w |
| 8 x 8 x 4 | 200 x 200 x 100 | 2.77 | w | 3.76 | w | 6.35 | w | 7.04 | w | 8.18 | w | 8.18 | w | 12.7 | w |
| 8 x 8 x 3 1/2 | 200 x 200 x 90 | 2.77 | w | 3.76 | w | 6.35 | w | 7.04 | w | 8.18 | w | 8.18 | w | 12.7 | w |
| 10 x 10 x 8 | 250 x 250 x 200 | 3.40 | w | 4.19 | w | 6.35 | w | 7.8 | w | 9.27 | w | 9.27 | w | 15.09 | w |
| 10 x 10 x 6 | 250 x 250 x 150 | 3.40 | w | 4.19 | w | 6.35 | w | 7.8 | w | 9.27 | w | 9.27 | w | 15.09 | w |
| 10 x 10 x 5 | 250 x 250 x 125 | 3.40 | w | 4.19 | w | 6.35 | w | 7.8 | w | 9.27 | w | 9.27 | w | 15.09 | w |
| 10 x 10 x 4 | 250 x 250 x 100 | 3.40 | w | 4.19 | w | 6.35 | w | 7.8 | w | 9.27 | w | 9.27 | w | 15.09 | w |
| 12 x 12 x 10 | 300 x 300 x 250 | 3.96 | w | 4.57 | w | 6.35 | w | 8.38 | w | 9.53 | w | 10.31 | w | 17.48 | w |
| 12 x 12 x 8 | 300 x 300 x 200 | 3.96 | w | 4.57 | w | 6.35 | w | 8.38 | w | 9.53 | w | 10.31 | w | 17.48 | w |
| 12 x 12 x 6 | 300 x 300 x 150 | 3.96 | w | 4.57 | w | 6.35 | w | 8.38 | w | 9.53 | w | 10.31 | w | 17.48 | w |
| 12 x 12 x 5 | 300 x 300 x 125 | 3.96 | w | 4.57 | w | 6.35 | w | 8.38 | w | 9.53 | w | 10.31 | w | 17.48 | w |
| 14 x 14 x 12 | 350 x 350 x 300 | 3.96 | w | 6.35 | w | 7.92 | w | 9.53 | w | 9.53 | w | 11.13 | w | 19.05 | w |
| 14 x 14 x 10 | 350 x 350 x 250 | 3.96 | w | 6.35 | w | 7.92 | w | 9.53 | w | 9.53 | w | 11.13 | w | 19.05 | w |
| 14 x 14 x 8 | 350 x 350 x 200 | 3.96 | w | 6.35 | w | 7.92 | w | 9.53 | w | 9.53 | w | 11.13 | w | 19.05 | w |
| 14 x 14 x 6 | 350 x 350 x 150 | 3.96 | w | 6.35 | w | 7.92 | w | 9.53 | w | 9.53 | w | 11.13 | w | 19.05 | w |
| 16 x 16 x 14 | 400 x 400 x 350 | 4.19 | w | 6.35 | w | 7.92 | w | 9.53 | w | 9.53 | w | 12.7 | w | 21.44 | w |
| 16 x 16 x 12 | 400 x 400 x 300 | 4.19 | w | 6.35 | w | 7.92 | w | 9.53 | w | 9.53 | w | 12.7 | w | 21.44 | w |
| 16 x 16 x 10 | 400 x 400 x 250 | 4.19 | w | 6.35 | w | 7.92 | w | 9.53 | w | 9.53 | w | 12.7 | w | 21.44 | w |
| 16 x 16 x 8 | 400 x 400 x 200 | 4.19 | w | 6.35 | w | 7.92 | w | 9.53 | w | 9.53 | w | 12.7 | w | 21.44 | w |
| 16 x 16 x 6 | 400 x 400 x 150 | 4.19 | w | 6.35 | w | 7.92 | w | 9.53 | w | 9.53 | w | 12.7 | w | 21.44 | w |
| 18 x 18 x 16 | 450 x 450 x 400 | 4.19 | w | 6.35 | w | 7.92 | w | 11.13 | w | 9.53 | w | 14.27 | w | 23.83 | w |
| 18 x 18 x 14 | 450 x 450 x 350 | 4.19 | w | 6.35 | w | 7.92 | w | 11.13 | w | 9.53 | w | 14.27 | w | 23.83 | w |
| 18 x 18 x 12 | 450 x 450 x 300 | 4.19 | w | 6.35 | w | 7.92 | w | 11.13 | w | 9.53 | w | 14.27 | w | 23.83 | w |
| 18 x 18 x 10 | 450 x 450 x 250 | 4.19 | w | 6.35 | w | 7.92 | w | 11.13 | w | 9.53 | w | 14.27 | w | 23.83 | w |
| 18 x 18 x 8 | 450 x 450 x 200 | 4.19 | w | 6.35 | w | 7.92 | w | 11.13 | w | 9.53 | w | 14.27 | w | 23.83 | w |
| 20 x 20 x 18 | 500 x 500 x 450 | 4.78 | w | 6.35 | w | 9.53 | w | 12.7 | w | 9.53 | w | 15.09 | w | 26.19 | w |
| 20 x 20 x 16 | 500 x 500 x 400 | 4.78 | w | 6.35 | w | 9.53 | w | 12.7 | w | 9.53 | w | 15.09 | w | 26.19 | w |
| 20 x 20 x 14 | 500 x 500 x 350 | 4.78 | w | 6.35 | w | 9.53 | w | 12.7 | w | 9.53 | w | 15.09 | w | 26.19 | w |
| 20 x 20 x 12 | 500 x 500 x 300 | 4.78 | w | 6.35 | w | 9.53 | w | 12.7 | w | 9.53 | w | 15.09 | w | 26.19 | w |
| 20 x 20 x 10 | 500 x 500 x 250 | 4.78 | w | 6.35 | w | 9.53 | w | 12.7 | w | 9.53 | w | 15.09 | w | 26.19 | w |
| 20 x 20 x 8 | 500 x 500 x 200 | 4.78 | w | 6.35 | w | 9.53 | w | 12.7 | w | 9.53 | w | 15.09 | w | 26.19 | w |
| 22 x 22 x 20 | 550 x 550 x 500 | 4.78 | w | 6.35 | w | 9.53 | w | 12.7 | w | 9.53 | w | - | w | 28.58 | w |
| 22 x 22 x 18 | 550 x 550 x 450 | 4.78 | w | 6.35 | w | 9.53 | w | 12.7 | w | 9.53 | w | - | w | 28.58 | w |
| 22 x 22 x 16 | 550 x 550 x 400 | 4.78 | w | 6.35 | w | 9.53 | w | 12.7 | w | 9.53 | w | - | w | 28.58 | w |
| 22 x 22 x 14 | 550 x 550 x 350 | 4.78 | w | 6.35 | w | 9.53 | w | 12.7 | w | 9.53 | w | - | w | 28.58 | w |
| 22 x 22 x 12 | 550 x 550 x 300 | 4.78 | w | 6.35 | w | 9.53 | w | 12.7 | w | 9.53 | w | - | w | 28.58 | w |
| 22 x 22 x 10 | 550 x 550 x 250 | 4.78 | w | 6.35 | w | 9.53 | w | 12.7 | w | 9.53 | w | - | w | 28.58 | w |
| 24 x 24 x 22 | 600 x 600 x 550 | 5.54 | w | 6.35 | w | 9.53 | w | 14.27 | w | 9.53 | w | 17.48 | w | 30.96 | w |
| 24 x 24 x 20 | 600 x 600 x 500 | 5.54 | w | 6.35 | w | 9.53 | w | 14.27 | w | 9.53 | w | 17.48 | w | 30.96 | w |
| 24 x 24 x 18 | 600 x 600 x 450 | 5.54 | w | 6.35 | w | 9.53 | w | 14.27 | w | 9.53 | w | 17.48 | w | 30.96 | w |
| 24 x 24 x 16 | 600 x 600 x 400 | 5.54 | w | 6.35 | w | 9.53 | w | 14.27 | w | 9.53 | w | 17.48 | w | 30.96 | w |
| 24 x 24 x 14 | 600 x 600 x 350 | 5.54 | w | 6.35 | w | 9.53 | w | 14.27 | w | 9.53 | w | 17.48 | w | 30.96 | w |
| 24 x 24 x 12 | 600 x 600 x 300 | 5.54 | w | 6.35 | w | 9.53 | w | 14.27 | w | 9.53 | w | 17.48 | w | 30.96 | w |
| 24 x 24 x 10 | 600 x 600 x 250 | 5.54 | w | 6.35 | w | 9.53 | w | 14.27 | w | 9.53 | w | 17.48 | w | 30.96 | w |

W-Welded

Applicable for pipes with BUTT weld ends only.

Welded Construction available in either ERW construction (or) Fabricated Construction.

Note: Ref.Standard ASME B16.9.2003